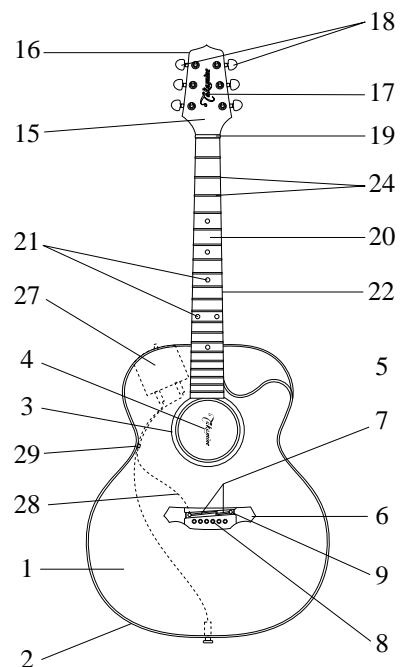


Specifications

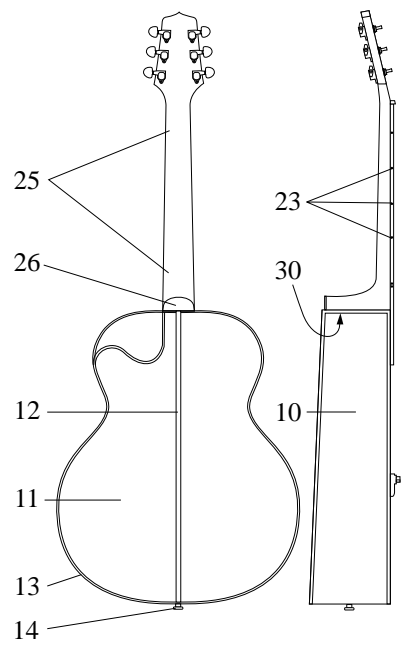
Model #LTD-98



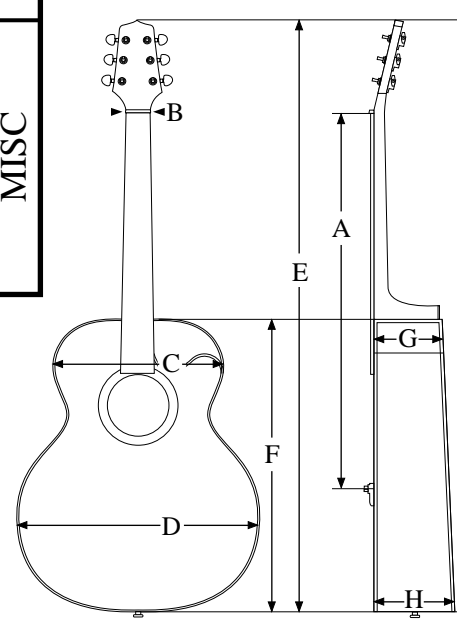
COMPONENT	DESCRIPTION
Body style	NEXC (Cutaway)
1. Top	Solid Spruce
Top Bracing	NC-1
2. Top Binding	Ivory, CAB & Wood
3. Rosette	Sun & Moon
4. Soundhole Label/Stamp	Sun & Moon Label
5. Pickguard	N/A
6. Bridge	Rosewood
7. Saddle	Bone - Two Piece Compensated
8. Bridge Pin	White w/ Black Dot
9. Bridge Inlay	White Acrylic
Bridge Bolts	N/A
10. Sides	Rio Grande Palisandro (Rosewood)
11. Back	Rio Grande Palisandro (Rosewood)
12. Centerline Inlay	Wood Strip, black / red / black
13. Back Binding	Ivory, CAB & Wood
14. Strap Pin	End Pin Jack, chrome
15. Peghead Face	Rio Grande Palisandro (Rosewood)
16. Peghead Binding	N/A
17. Peghead Logo	Abalone
18. Machine Heads	Gold w/ Pearloid buttons / H.A.P.
19. Nut	Bone
20. Fingerboard	Rosewood
21. Fingerboard Inlay	Lunar Eclipse
22. Fingerboard Binding	Ebony
23. Fingerboard Side Markers	White Acrylic (#3, 5, 7, 9, 12, 15, 17)
24. Frets	Nickel
25. Neck	Mahogany
Truss Rod	Two-Way Truss rod
Neck Joint	14 Fret Dovetail
26. Heel Cap	Ivory, CAB
27. Preamp Assembly	Accuracoustic Preamp
28. Pickup Assembly	Palathetic Pickup
29. Cord Hook	CH1
30. Serial Number	Takamine paper sticker on heel block
Strings	Light Gauge
Finish	Gloss Polyurethane
DIMENSIONS	(inches rounded off from metric measurements)
A. Scale Length	644 mm 25-3/8" inches
B. Nut Width	40 mm 1-9/16"
C. Upper Bout Width	28.5 cm 11-1/4"
D. Lower Bout Width	40 cm 15-3/4"
E. Total Guitar Length	105 cm 41-5/16"
F. Total Body Length	51 cm 20-1/16"
G. Upper Bout Depth	9.5 cm 3-3/4"
H. Lower Bout Depth	11 cm 4-5/16"



BODY



NECK



MISC